

# MIDGET DIRECT ACTING SOLENOID VALVES



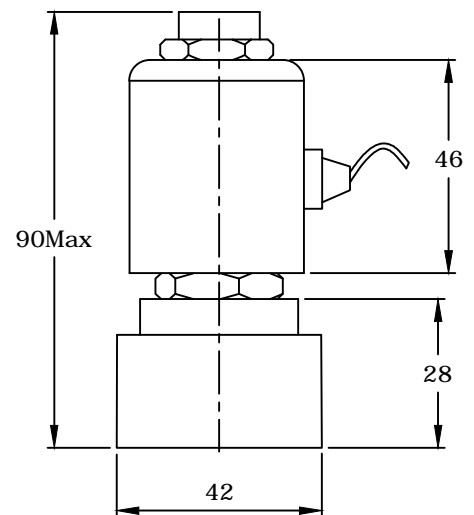
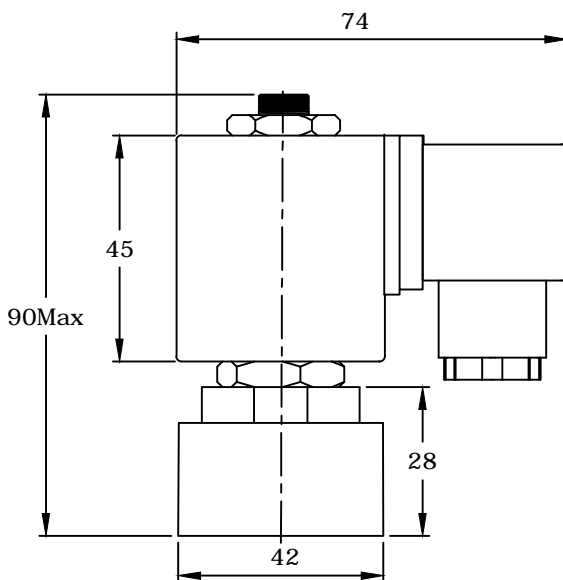
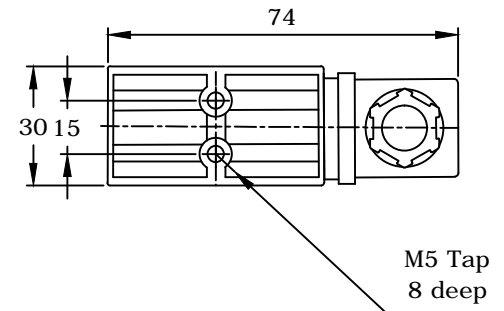
## 3/2 Direct acting normally closed valve

### Features :

- Wide range of coil voltages.
- Continuous duty cycle.
- Low temperature of operation.
- Noiseless performance.
- Coil can be rotated by 360°.

### Technical Specifications :

Model	KM-3/2-NC				
Medium	Filtered compressed air				
Port Size	Inlet, Outlet - G1/4 ( F )				
Ambient / Medium temperature	5° - 60° C				
Orifice (NW)	1.8				1.5
Operating pressure (bar)	0 - 10				
Flow rate ( Ltr / Min )	140				90
Electrical					
Voltage (V) ± 10%	AC			DC	
	24	110	230	12	24
Power Consumption (Watts)	6			8	
Duty Cycle	Continuous				
Type of coil protection	IP67 / 65				
Class of insulation	Class - F				
Materials of construction	Aluminium, Brass, Stainless Steel				



Manufactured by :

**Kushako India**

Office : 490, Narayan Peth, Opp. Pune Marathi Granthalaya, Pune - 411030. (Maharashtra), Website : [www.kushakoindia.com](http://www.kushakoindia.com)

Works : Sr.No. 25/1A, Village Nanded, Sinhgad Road, Tal - Haveli, Dist. Pune -411041

Tel. No : 901169077 / 7620674777

E-mail : [kushako.india@gmail.com](mailto:kushako.india@gmail.com) / [kushakoindia1992@gmail.com](mailto:kushakoindia1992@gmail.com)

